

STUDIO

INSERT & FREESTANDING FIRES



STOVAX
Fire Your Imagination



STUDIO | INSERT

To own a Studio is to make a design statement that will become a heart-warming focal point to your home. From glass to steel, there will be a frame to suit your own personal taste and style. Alternatively the Studio can be fitted with an Edge kit for a more minimalistic appearance.

Finishing Options

From the frameless edge to the impressive glass, these finishing options have all been designed specifically to complement the visuals of the Studio insert and offer you a spectrum of different styles, so you can be sure to find a fire that will be perfect for your home.



| Optimum Efficiency | Emissions (g/kg) | View Area | Room size | Flue size |
|--------------------|------------------|-------------|-------------------|-----------|
| up to 62% | 1.2 | 790 x 289mm | 180m ² | 153mm |



Studio Edge Plus Kit



Studio Bauhaus - Metallic Black



Polished Stainless Steel



Studio Steel XS



Studio Verve (horizontal curve) (aerial view below)



Studio 2 Freestanding

STUDIO | FREESTANDING

The Studio Freestanding incorporates the impressive firebox performance of an insert fire with the welcoming presence of a stove. Available with a number of optional extras to help you create the right look for your home, the Studio Freestanding can be hearth mounted or installed on a Bench. An optional heat shield kit can be fitted to the appliance in order to reduce the distance to combustible materials if required.

Stove Benches

These versatile steel benches are compatible with Stovax's freestanding contemporary stoves. With a variety of size options, they offer greater design possibilities to accommodate your individual styling requirements.



Studio 2 Freestanding shown with bench

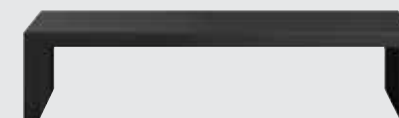
| Optimum Efficiency | Emissions (g/kg) | View Area | Room size | Flue size |
|--------------------|------------------|-------------|-----------------------|-----------|
| up to 62% | 1.2 | 790 x 289mm | 180-200m ² | 153mm |

Stove Benches

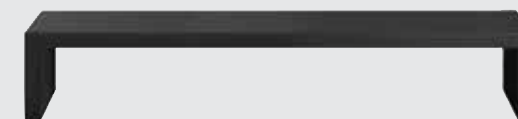
- Sturdy steel construction
- Durable matching black finish
- Proportioned 60mm wide legs
- Allows for central or offset stove positioning



120 High (1200 X 350 X 420)



140 High (1400 X 350 X 420)



180 High (1800 X 350 X 465)

STUDIO | HIGH EFFICIENCY FIRES

Stovax Studio fires feature the very latest cleanburn combustion systems, allowing them to burn logs with outstanding efficiency, resulting in more heat delivery into the room and less going up the chimney. This technological advancement is achieved by introducing preheated, secondary air into the firebox to burn the excess hydrocarbons in the smoke. Airwash air flow also helps keep the window clean, allowing you to enjoy the flames to the full.

Whether you choose a cassette or freestanding fire, your Studio will offer you full control of the flame aesthetics. From a lazy roll to a lively roar, you can adjust your fire to suit your mood. The doors on the Studio 2 are hinged to the left minimising the risk of ash falling beyond the hearth and into the room.

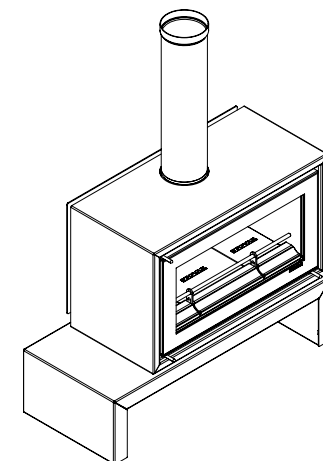
Studio Key Design Features

1. TCL (Technical Combustion Lining) High density thermal liner system
2. Heated air jets from cleanburn ports burn hydrocarbons in smoke
3. Airwash air flow for cleaner glass
4. Removable handle and door opening catch
5. Convected and radiant heat
6. Convected heat ducting system outlet
7. Easy fit flue connection
8. Removable steel and TCL baffles
9. External air facility
10. Fan kit (inserts only)



Studio Freestanding Heat Shield

This highly effective Heat Shields is available for the Studio Freestanding model. This fantastic addition allows a reduction of up to 62% in the distance to combustible materials at the rear of the appliance – reducing this to just 150mm.



Fan Kit

Installing the fan kit into your Studio fire helps circulate combustion air, increasing burning efficiency and providing greater heat delivery into the room. With both manual and automatic settings, the fan kit is conveniently operated by the Studio Control Panel.



Registered European Design 001169338

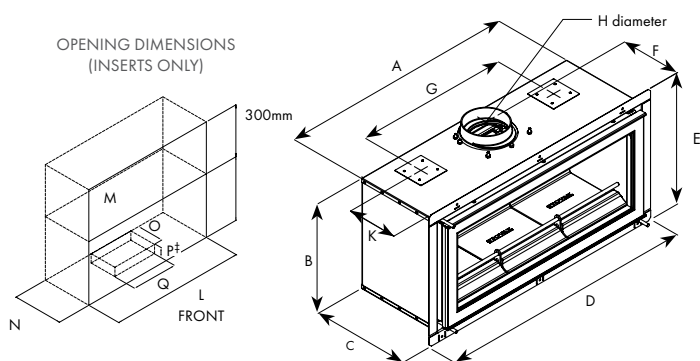


STUDIO | DIMENSIONS

An appropriately qualified and approved installer should undertake a site survey prior to purchase and must install your Studio for you. Your Stovax retailer will be able to offer advice on this. You may also view or download complete installation instructions from our website – stovax.com.au. The diagrams on these pages cover some of the basic requirements and are for initial information purposes only. All fires and freestanding stoves should be installed by a qualified and approved installer to the requirement of Building Regulations and include the fitting of adequate ventilation to ensure safe use. Before installing refer to the product manual supplied with the unit for full and up to date information.

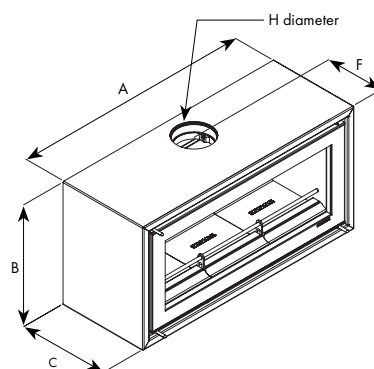
Product pictures are a guide only, all wood fires must be installed as per AS/NZS 2918 (2018). All Stovax wood fires exceed stringent joint Australian and New Zealand Standards AS/NZS 4012/4013 (2014). Not all products are available at all outlets. Registered European Design 001169338.

INSERT DIMENSIONS



| | Studio 2 | Studio 2 FS |
|------------------------------|--------------|--------------|
| A | 950 | 1000 |
| B | 440 | 504 |
| C | 350 | 380 |
| D | 1019 | - |
| E | 522 | - |
| F | 246 | 260 |
| G | 610 | - |
| H ø | 153 | 153 |
| K | 240 | - |
| L | 960 | - |
| M | 460 | - |
| N | 355 | - |
| O | 115 | - |
| P | 25 | - |
| Q | 750 | - |
| Flame Viewing Window (W x H) | 790 x 289 | 790 x 289 |
| Weight | 112Kg | 130Kg |

FREESTANDING DIMENSIONS



| Fascias | Width | Height | Depth |
|---------------------------|-------|--------|-------|
| Edge Plus Kit | 983 | 598 | 34* |
| Bauhaus | 1050 | 554 | 34 |
| Steel XS (Metallic Black) | 1111 | 622 | 3 |
| Verve | 1440 | 622 | 59 |
| Glass | 1445 | 628 | 8 |

(all dimensions in mm)

‡ A fan kit is required, please allow 250mm for fitting.

* Depth when recessed into wall, for more information on the optional wall-mounting box please see manual. Please refer to installation manual for minimum distances to combustible materials.

CLEANING & MAINTENANCE

Stovax fireplaces have been intrinsically designed to require very little maintenance. However, when there are things to be done, we have an extensive selection of accessories that can make short work of the task.

| CLEANING & MAINTENANCE ACCESSORIES | |
|------------------------------------|---|
| THERMOLAC STOVE PAINT | Studio Aerosol Paint - Metallic Black View Aerosol Paint - Metallic Black |
| CLEANING PRODUCTS | Wipe-on Glass Cleaner - 500ml Spray Glass Cleaner - 500ml Limestone Cleaner - 500ml Stovax Slate cleaner - 500ml |
| MAINTENANCE PRODUCTS | Stovax Protector Sachets Stovax Protector Tub - 1kg Fire cement - 600g / 500g / 5kg Stovax grease |
| CHIMNEY BRUSHES | 5" Polypropylene Brush Head 6" Polypropylene Brush Head 7" Polypropylene Brush Head 6" Steel Brush (150mm) Uni Rod Uni Rod Adaptor |
| GLOVES | Leather Gloves (34cm x pair) Extra Long Leather Gloves (pair) |
| ROPE SEALS & TAPE | Thermic Seal - 50ml Rope Seal Pack 13mm Ø x 2.6m - black* Rope Seal Pack 13mm Ø x 3.5m - black* |
| OTHER | Carbon Monoxide Detector |

* Rope seal packs includes glue and rope seal end tape



STOVAX
Fire Your Imagination



Fireplace Products Australia
1-3 Conquest Way, Hallam, Vic 3803
Tel: 03 9799 7277 Fax: 03 9799 7822

Email: stovax-sales@regency-fire.com.au
www.stovax.com.au

© 2020 All material copyright Fireplace Products Australia



Glow City

352 Morphett Rd
Warradale
8397 6100

Glow South Coast

4 Victor Harbor-Goolwa Rd
Middleton
8554 2860

info@glowhce.com.au | www.glowhce.com.au